

Fuel Injection Equipment

MPI is one of the largest stockiest 4-stroke fuel injection equipment in the world.

MPI is an authorized distributor of **Woodward L'Orange**.

Our inventory level of fuel injection equipment is more than Euro 1.50 million.

Woodward L'Orange as a pioneer in state-of-the-art injection technology, has stood for innovative strength, knowledge and experience for more than 80 years.

The company, with its long tradition, develops, produces and sells advanced injection systems for large engines from 1,000 to 40,000 kW. **Woodward L'Orange** presently employs over 1,000 people at its locations in Stuttgart, Glatten, Wolfratshausen, Rellingen, Suzhou and Ningbo (China). Its service spectrum encompasses the entire product range in injection technology, including state-of-the-art common-rail technology for all off-highway diesel and heavy fuel oil applications.





Anti-Sticking Fuel Pumps from Woodward L'Orange

The new Fuel Pumps and Pump Elements from **Woodward L'Orange**, with anti-sticking solution and improved design, ensures significantly longer maintenance intervals, thus reducing maintenance costs.

The running hours are extended by 4-10 times as compared to the standard non-coated products.

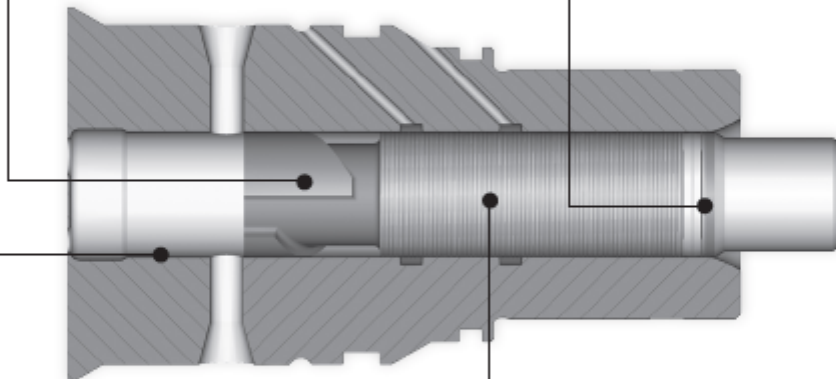
Take advantage of the many benefits of an all-new generation of pump components from **Woodward L'Orange**.

4 to 10 times more running hours

Our special coating reduces deposits and significantly extends running hours compared to standard products

Less sticking of the plungers

A microgroove with a scraper ring separates the lubricating oil from the fuel and reduces the building of deposits in the barrel



Reduced service requirements

The Innovative anti-sticking solution ensures significantly longer maintenance intervals, therefore reducing service costs

Successful applications

This new generation of pump elements has already been used successfully in many different applications

